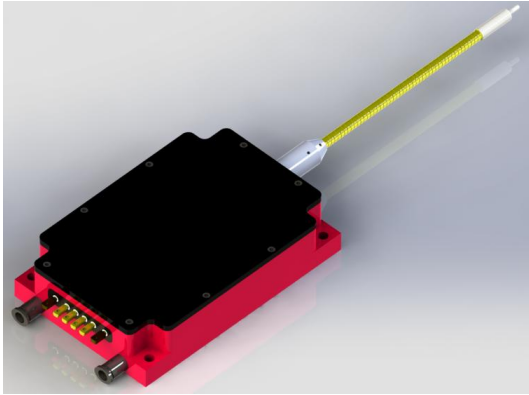
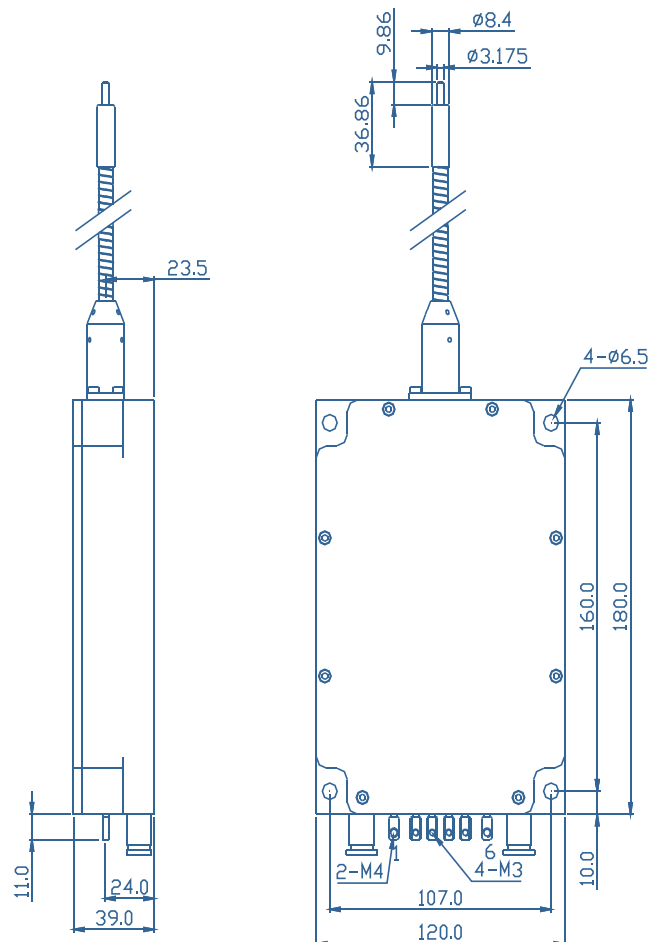
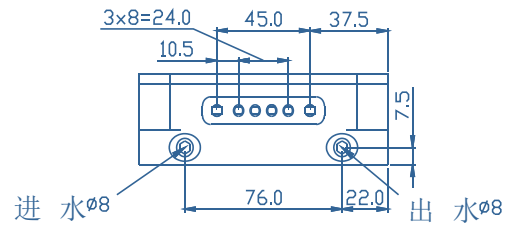


C-Series High Power Laser Diode Module



- Features**
- ◆ High output power of 300 W
 - ◆ 1000μm/0.22NA multimode optical fiber
 - ◆ Center wavelength 1064±10nm
- Applications**
- ◆ Medical cosmetology

Package Dimensions (mm)



Pin-out Assignment	
Pin	Function
1	LD (-)
2	Thermistor 1
3	Thermistor 1
4	Thermistor 2
5	Thermistor 2
6	LD (+)

Typical Device Performance (25°C)

	Min	Typical	Max	Unit
Optical				
CW Output Power	-	300	-	W
Center Wavelength	-	1064±10	-	nm
Spectral Width (90% of Power)	-	<10	-	nm
Wavelength Shift with Temperature	-	0.3	-	nm /°C
Electrical				
Threshold Current	-	0.8	-	A
Operating Current	-	22	-	A
Operating Voltage	-	25	-	V
Slope Efficiency	-	13.5	-	W / A
Power Conversion Efficiency	-	50	-	%
Repetition Frequency	-	1-10	-	Hz
Pulse Width	-	<500	-	ms
Duty Cycle	-	<50	-	%
Fiber				
Fiber Core Diameter	-	-	-	μm
Numerical Aperture	-	0.22	-	-
Fiber Length	-	1-5	-	m
Fiber Connector	-	-	-	-

Absolute Ratings

	Min	Max	Unit
Operating Temperature	15	35	°C
Operating Relative Humidity	-	75	%
Cooling Mode	-	Water cooling (25°C)	-
Storage Temperature	-20	80	°C
Storage Relative Humidity	-	90	%
Lead Soldering Temperature (10 s max)	-	250	°C

This instruction is for reference only. Han's TCS improves its products continually, therefore may change specifications without notice to customers, for details, please contact with Han's TCS sales.

@2022 Han's TianCheng Semiconductor Co., Ltd. All rights reserved.