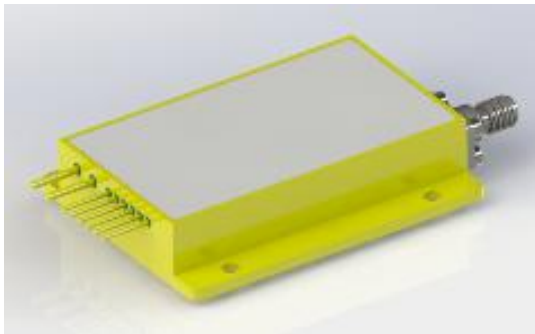
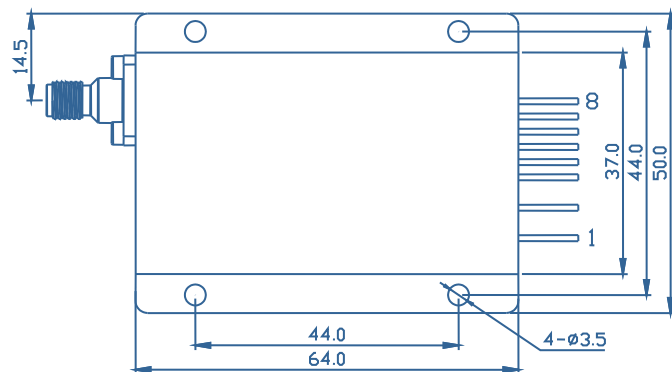
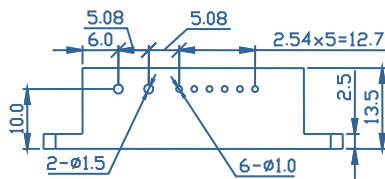


## C-Series High Power Laser Diode Module



- Features
- ◆ High output power of 100 W
  - ◆ 200μm/0.22NA multimode optical fiber
  - ◆ Center wavelength 878.6±0.5nm
- Applications
- ◆ Laser pumping source
  - ◆ Laser direct application

### Package Dimensions (mm)



Pin-out Assignment	
Pin	Function
1	LD (+)
2	LD (-)
3	-
4	-
5	PD(N)
6	PD(P)
7	Thermistor
8	Thermistor

## Typical Device Performance (25°C)

	Min	Typical	Max	Unit
<b>Optical</b>				
CW Output Power	-	100	-	W
Center Wavelength	-	878.6±0.5	-	nm
Spectral Width (90% of Power)	-	<0.5	-	nm
Wavelength Shift with Temperature	-	0.02	-	nm /°C
<b>Electrical</b>				
Threshold	-	1.5	-	A
Operating Current	-	12.7	14.0	A
Operating Voltage	-	15.8	18.0	V
Slope Efficiency	-	8.8	-	W / A
Power Conversion Efficiency	43	48	-	%
<b>Fiber*</b>				
Fiber Core Diameter	-	200/400	-	μm
Numerical Aperture	-	0.22	-	-
Fiber Length	-	1-5	-	m
Fiber Connector	-	-	-	-

\* Customized fiber and connector available.

## Absolute Ratings

	Min	Max	Unit
Operating Temperature	15	35	°C
Operating Relative Humidity	-	75	%
Cooling Mode	-	Water cooling (25°C)	-
Storage Temperature	-20	80	°C
Storage Relative Humidity	-	90	%
Lead Soldering Temperature ( 10 s max )	-	250	°C

This instruction is for reference only. Han's TCS improves its products continually, therefore may change specifications without notice to customers, for details, please contact with Han's TCS sales.

@2022 Han's TianCheng Semiconductor Co., Ltd. All rights reserved.